

MEGAVIEW

MODEL: MV6
PC GAMING CASE



FEATURES:

1. SUPPORT 360 COOLING
2. SUPPORT 12CM FAN 9PCS
3. DOUBLE-SIDED TEMPERED GLASS



REVISED HISTORY
Version 1.4

Edited by EVE
2022.11

SPECIFICATIONS

MODEL	MV6
DIMENSIONS(L*W*H)	STRUCTURE:412*280*350MM PRODUCT: 415*280*377MM PACKAGE: 435*340*490MM
STRUCTURE THICKNESS	0.6MM
MATERIALS	SPCC 0.6MM F&L SIDE PANEL: TEMPERED GLASS
FORM FACTOR	M-ATX/ITX
DRIVE BAYS	5.25" CD ROM: 0 3.5" HDD: 2+2.5" SSD: 3
CPU MAX H	160MM
VGA MAX L	400MM
I/O PANEL	USB3.0*2+HD AUDIO
PCI CARD SLOT	4
FAN SUPPORT	ON THE LEFT OF THE FRONT SIDE: 2*12CM TOP: 3*12CM REAR: 1*12CM BOTTOM: 3*12CM
LIQUID COOLING SUPPORT	TOP: 36CM
POWER SUPPLY SUPPORT	BOTTOM MOUNT
WEIGHT	N.W.: 4.73KG G.W.: 5.89KG




**PC GAMING CASE
MV6**

PICTURES




PC GAMING CASE
MV6

USER MANUAL

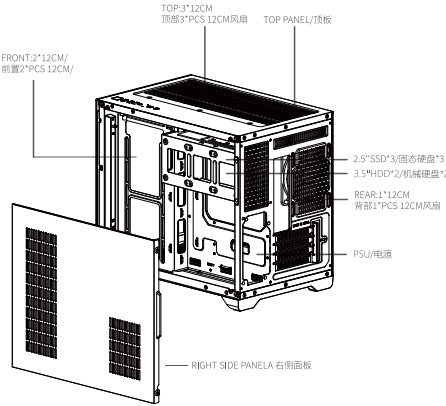


**MEGAVIEW
MV6**



1STPLAYER GAMING CASE
首席玩家游戏机箱
USER MANUAL 说明书

**• ASSEMBLY VIEW
装配视图**



FRONT: 2*12CM / 前置2*PCS 12CM /

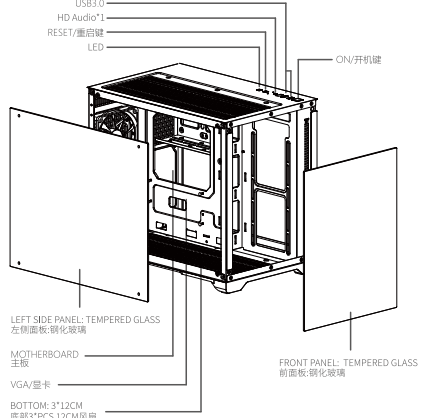
TOP: 3*12CM / 顶部3*PCS 12CM风扇 / TOP PANEL/顶板

2.5"SSD*3/固态硬盘*3
3.5"HDD*2/机械硬盘*2

REAR: 1*12CM / 背部1*PCS 12CM风扇

PSU/电源

RIGHT SIDE PANELA 右侧面板



USB3.0
HD Audio*1
RESET/重启键
LED
ON/开机键

LEFT SIDE PANEL: TEMPERED GLASS
左侧面板: 钢化玻璃

MOTHERBOARD
主板

VGA/显卡

FRONT PANEL: TEMPERED GLASS
前面板: 钢化玻璃

BOTTOM: 3*12CM / 底部3*PCS 12CM风扇

A. MOTHERBOARD/主板

- THE HOLES OF MOTHERBOARD SCREW ALIGN WITH THE HEXAGON PILLARS
主板螺丝孔位对准六角铆柱
- FIX THE MOTHERBOARD AND CASE WITH MOTHERBOARD SCREW
使用主板螺丝把主板与机箱固定
- CPU MAX H: 160MM
机箱支持160MM高CPU散热器

MOTHERBOARD SPECIFICATIONS/主板规格

M-ATX

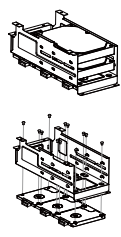
ITX

B. VGA CARD/显卡

- INSERT THE VGA CARD TO THE PCI-E X4 CARD SLOT OF MOTHERBOARD
显卡插入主板PCI-E X4卡槽
- FIX THE VGA CARD WITH HEXAGONAL SCREWS
六角螺丝固定显卡
- RESERVING THE VGA CARD SLOTS FOR THE CASE, WHICH CAN ADJUST IT SELF ACCORDING TO THE OUTPUT PORT OF VGA CARDS
机箱预留显卡卡槽,可根据显卡输出出口自行调节
- VGA MAX L: 400MM
机箱支持400MM长

C. POWER SUPPLY/电源

- PSU BOTTOM MOUNT
下置电源仓
- THE HOLES OF PSU ALIGN WITH THE RESERVED HOLE FOR CASE
电源孔位对准机箱预留的电源孔位
- FIX WITH THE HEXAGONAL SCREWS
用六角螺丝固定



D. HDD

- SUPPORT 3.5"HDD*2
支持3.5"HDD*2
- THE SCREW HOLES OF HDD ALIGN WITH THE HDD HOLES, LOCKED THE HDD SCREW/HDD 螺丝孔位对准HDD孔位,锁上HDD螺丝

E. SSD

- SUPPORT 2.5"SSD*3
支持2.5"SSD*3
- THE HOLES OF SSD ALIGN WITH THE RESERVED HOLE FOR CASE/SSD 螺丝孔位对准SSD孔位,锁上SSD螺丝
- FIX SSD WITH THE MOTHERBOARD SCREWS
用主板螺钉固定SSD

F. LIQUID COOLER/冷排

- TOP: 36CM支持顶部36CM冷排

G. FAN/风扇

使用风扇螺丝把风扇与机箱固定

- FRONT: 2*12CM支持前置2*PCS 12CM机箱风扇
- TOP: 3*12CM支持顶部3*PCS 12CM机箱风扇
- REAR: 1*12CM支持后置1*PCS 12CM机箱风扇
- BOTTOM: 3*12CM支持底部3*PCS 12CM机箱风扇

MEGAVIEW

1STPLAYER GAMING CASE

WWW.1STPLAYER.COM



**PC GAMING CASE
MV6**