



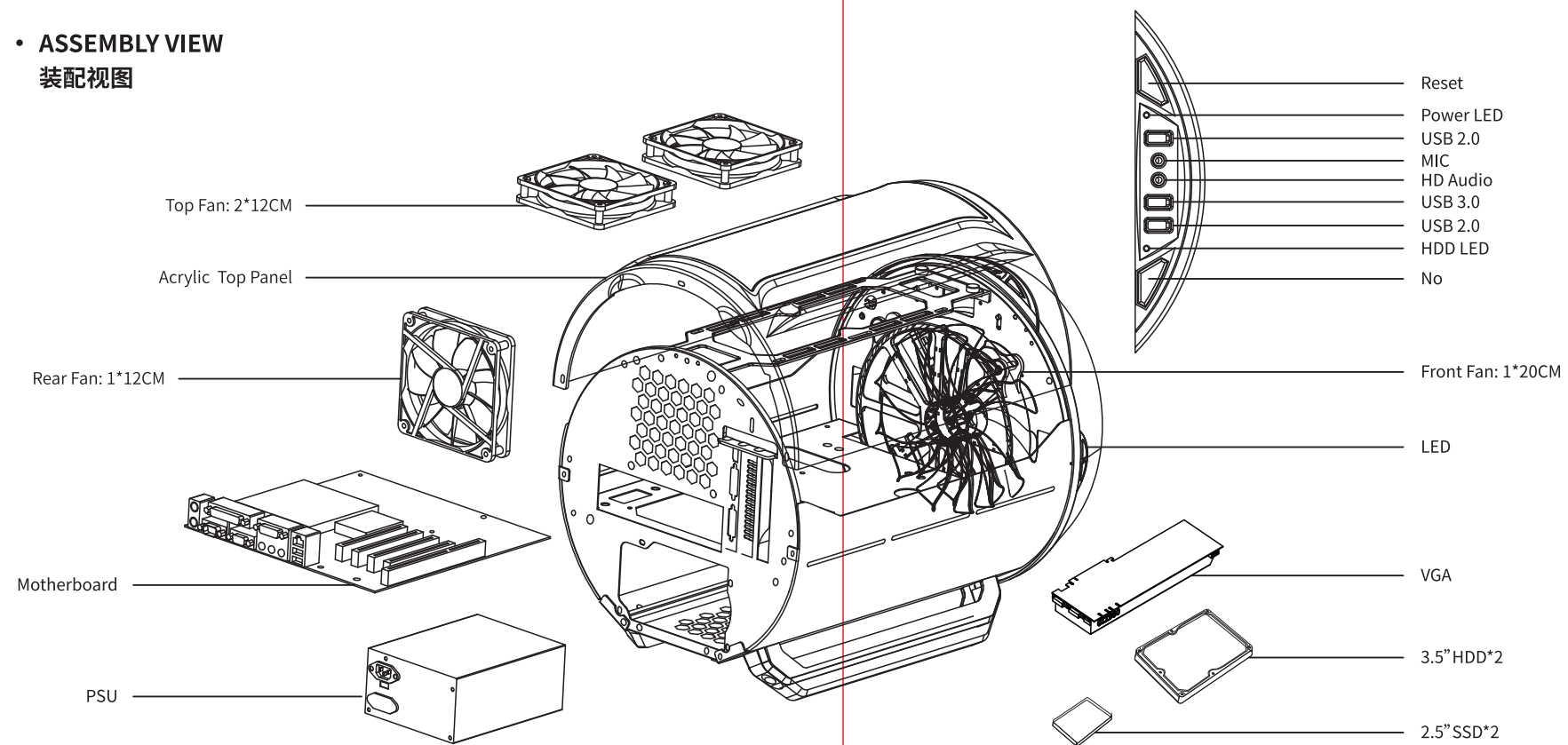
BASS

1STPLAYER GAMING CASE

首席玩家游戏机箱

USER MANUAL
说明书

ASSEMBLY VIEW 装配视图

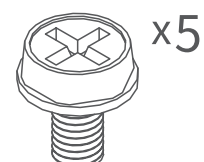


BASS

1STPLAYER
GAMING
CASE

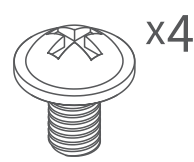
USER MANUAL
说明书

SCREW ACCESSORIES 螺丝包配件



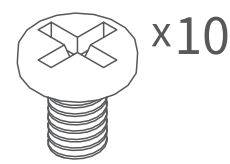
x5

Hexagonal Screws Of VGA Card
+
Hexagonal Screws Of PSU
显卡六角螺丝+电源六角螺丝



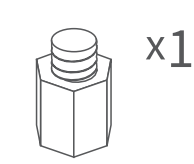
x4

Motherboard Screw
+
2.5" SSD Screw
主板螺丝 + 2.5" SSD螺丝



x10

3.5" HDD Screw
3.5" HDD螺丝



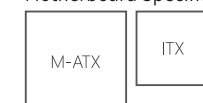
x1

Motherboard Screw
五金母座

A. Motherboard / 主板

1. The Holes Of Motherboard Screw Align With The Hexagon Pillars
主板螺丝孔位对准六角铜柱
2. Fix The Motherboard And Case With Motherboard Screw
使用主板螺丝把主板与机箱固定
3. CPU MAX: 165MM
机箱支持165MM高CPU散热器

Motherboard Specifications / 主板规格



B. VGA Card / 显卡

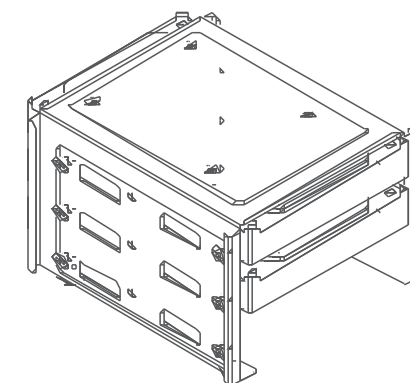
1. Insert The VGA Card To The PCI-E X16 Card Slot Of Motherboard
显卡插入主板PCI-E X16卡槽
2. Fix The VGA Card With Hexagonal Screws
六角螺丝固定显卡
3. Reserving The VGA Card Slots For The Case, Which Can Adjust Itself
According To The Output Port Of VGA Cards
机箱预留显卡卡槽, 可根据显卡输出口自行调节
4. VGA Max: 320MM
机箱支持320MM长显卡

C. Power Supply / 电源

1. PSU Bottom Mount
下置电源仓
2. The Holes Of PSU Align With The Reserved Hole For Case
电源孔位对准机箱预留的电源孔位
3. Fix With The Hexagonal Screws
用六角螺丝固定

D. Drive Bracket / 硬盘支架

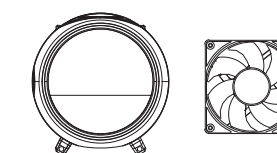
1. Support 3.5" HDD*2 / 2.5" HDD*2 / 3.5" HDD*1 + 2.5" SSD*1
支持3.5" HDD*2 / 2.5" HDD*2 / 3.5" HDD*1 + 2.5" SSD*1
2. Remove the screws, take out the mounting bracket and install the drive.
机箱底部拆除硬盘架子螺丝, 取出架子装配硬盘
3. Put back the mounting bracket to the drive bay, then tighten the screws.
把硬盘架子放回原位锁好固定螺丝



COOLING 散热

FRONT / 前面板

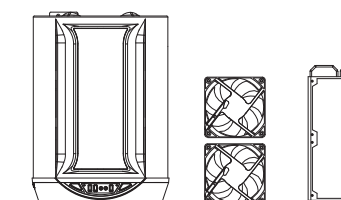
Fan / 风扇:
1*20cm



TOP / 顶部

Fan / 风扇:
2*12cm

Liquid Cooler/一体式水冷:
24cm



REAR / 后面板

Fan / 风扇:
1*12cm

